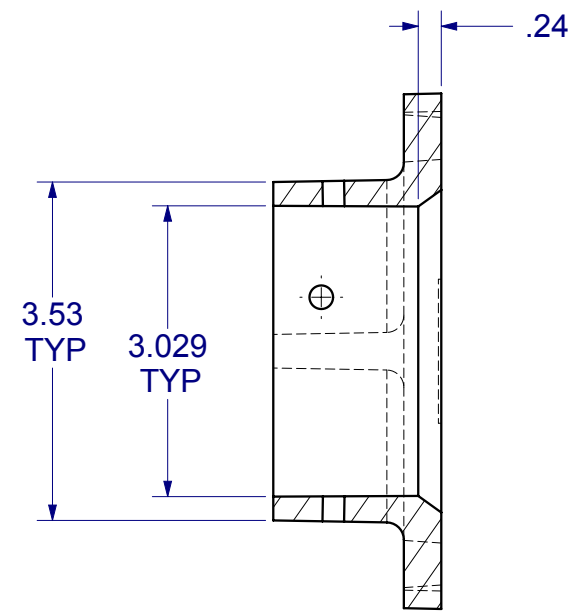
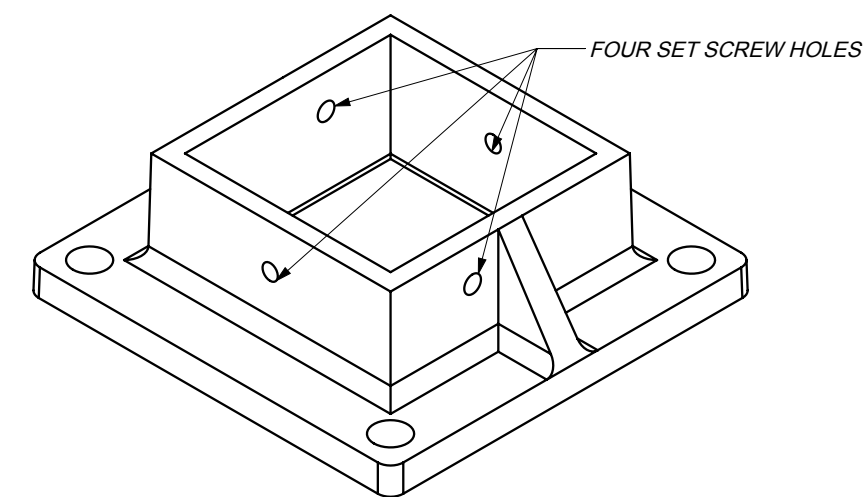
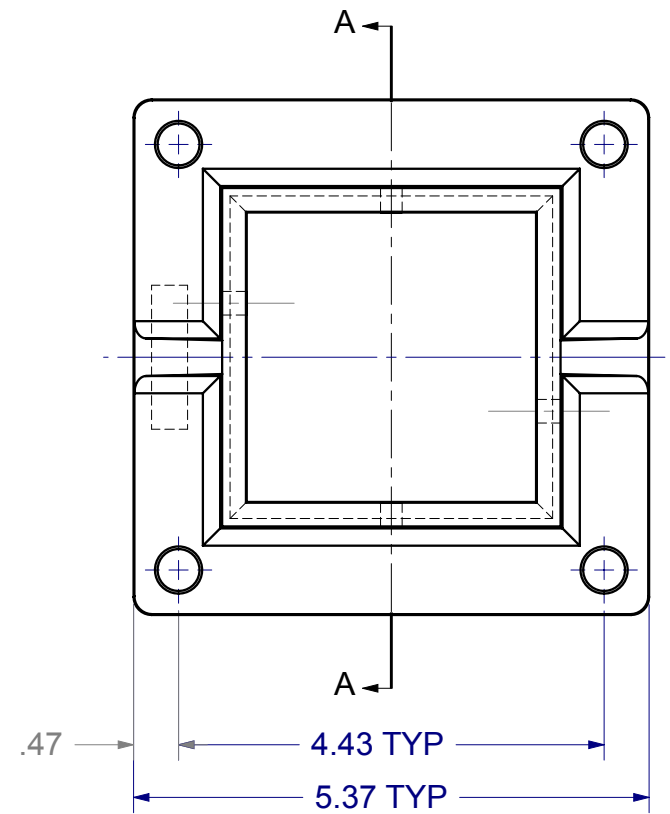


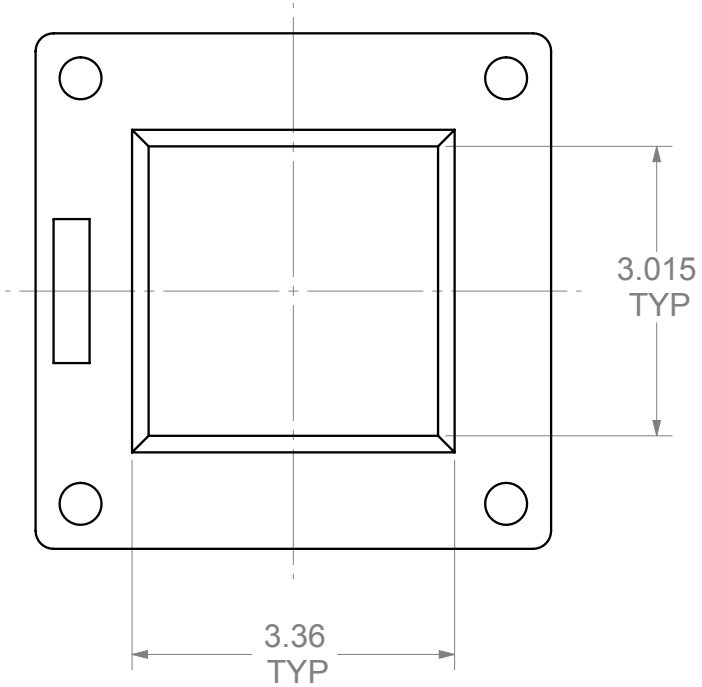
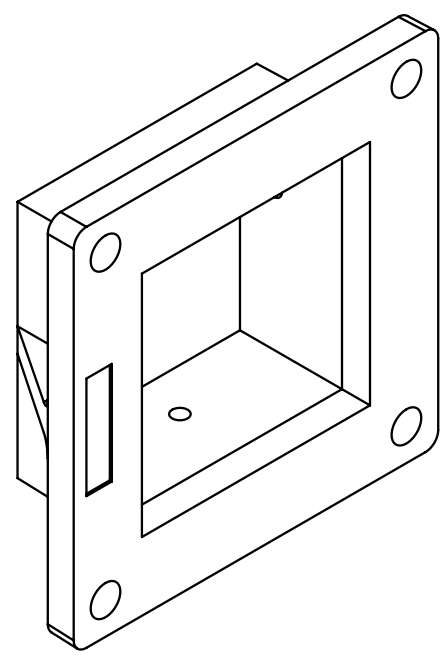
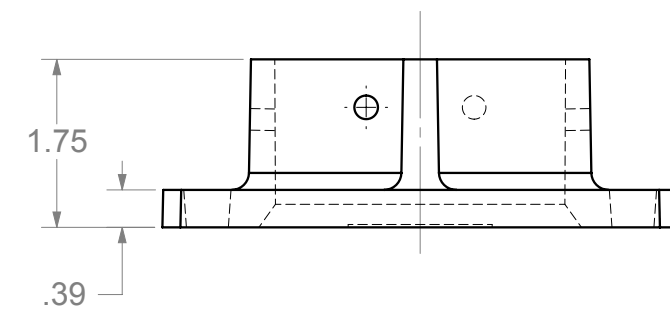
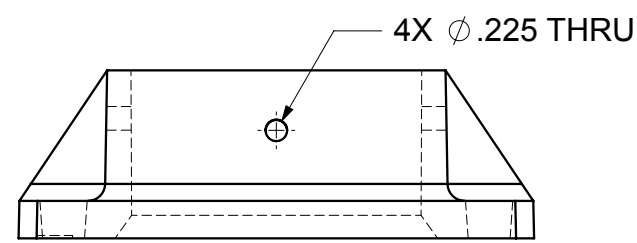
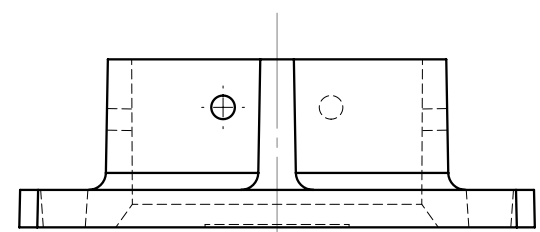
ECR/DCR REV.		REVISIONS DESCRIPTION	DATE	APPD
-	-	INITIAL RELEASE	-	-



SECTION A-A



AFF33BL



PART NUMBER	SET SCREW	COLOR	L*	a*	b*	G
AFF33BL	YES	BLACK	24	0	0	35

HOLES

DIMENSIONS ARE IN INCHES
 TOLERANCES:
 FRACTIONAL ±1/16"
 ANGULAR: MACH ±1° BEND ±1°
 TWO PLACE DECIMAL ±0.01
 THREE PLACE DECIMAL ±0.005

3X3 FLOOR MOUNT

AFF33BL

SIZE B	DWG. NO.	REV. -
SCALE:1:2	WEIGHT: 1.209	SHEET 1 OF 1