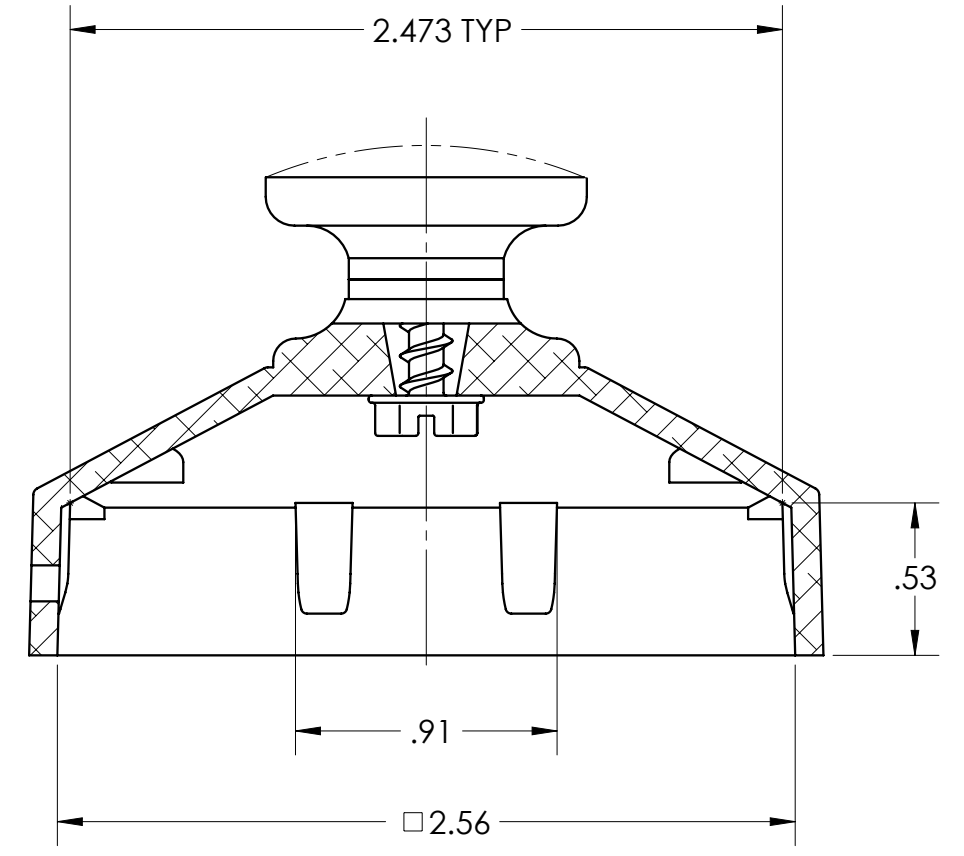
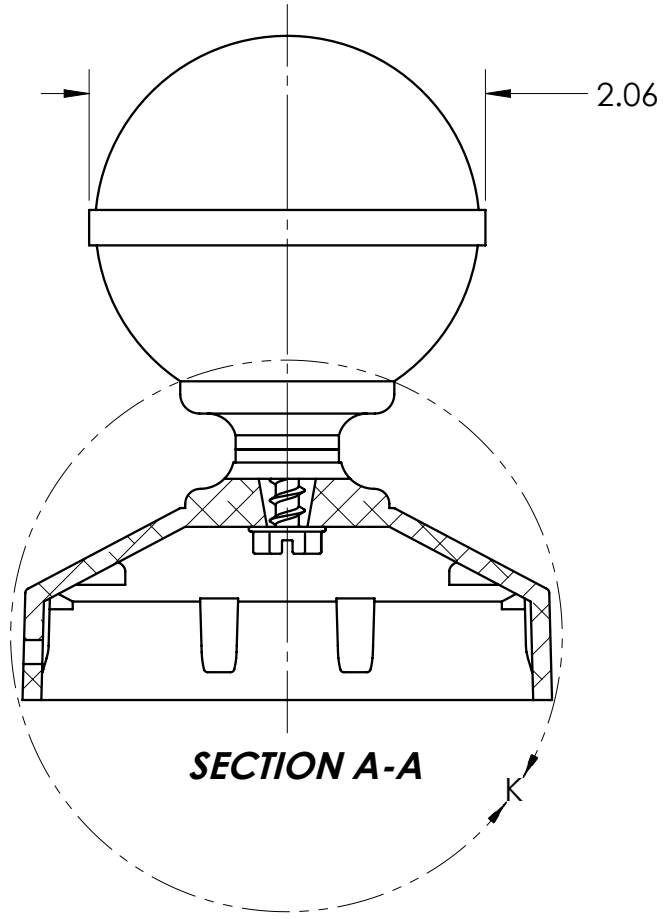
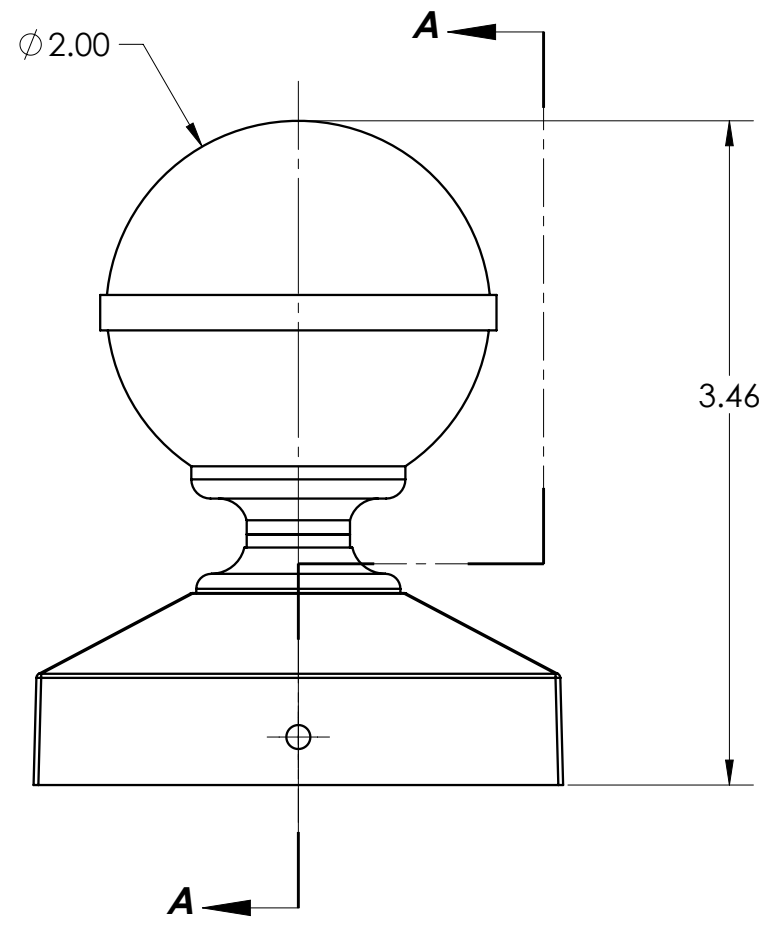
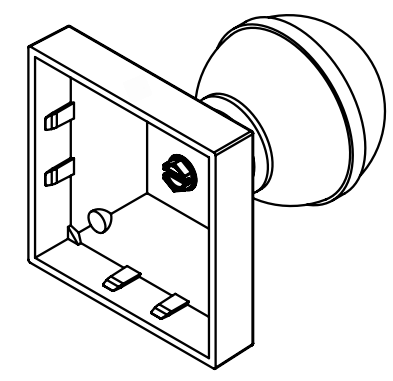
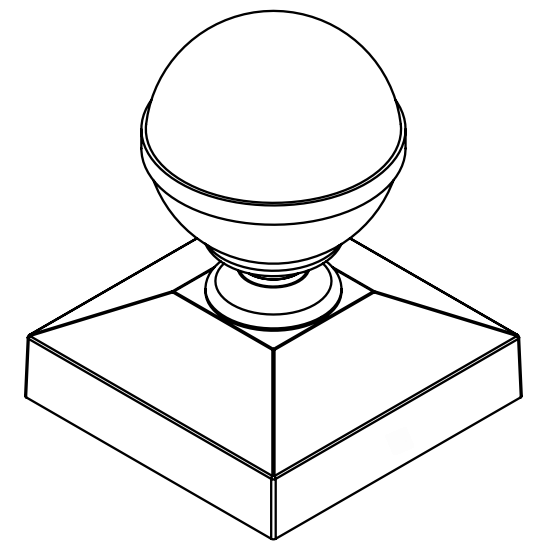
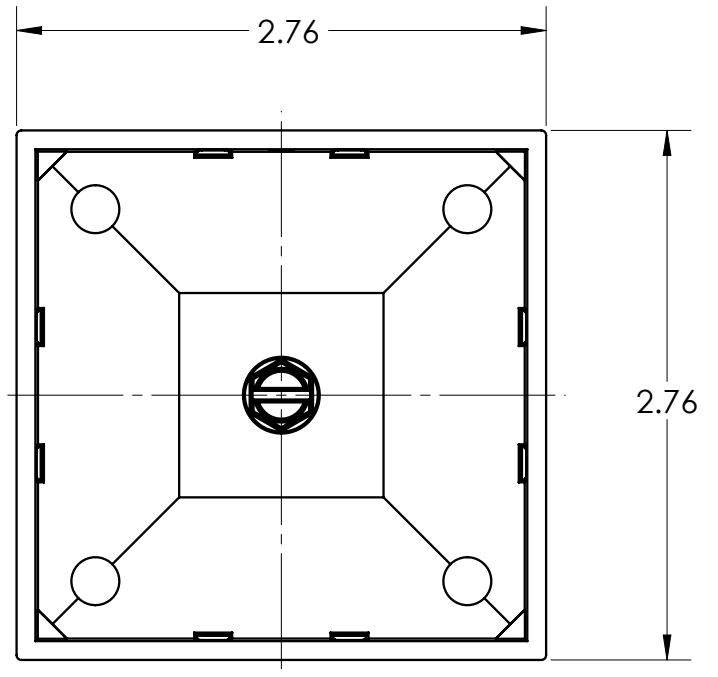


REVISIONS				
ECR/DCR	REV.	DESCRIPTION	DATE	APPD.
-	-	INITIAL RELEASE	-	-



DETAIL K  
SCALE 3 : 2



DIMENSIONS ARE IN INCHES TOLERANCES: FRACTIONAL $\pm 1/16"$ ANGULAR: MACH $\pm 1^\circ$ BEND $\pm 1^\circ$ TWO PLACE DECIMAL $\pm 0.01$ THREE PLACE DECIMAL $\pm 0.005$	DRAWN	NAME	DATE	<b>2.5" LIGHT WEIGHT BALL CAP</b>  <b>BPC25BL</b>
	CHECKED			
	ENG APPR.			
	MFG APPR.			
MATERIAL <b>A360 CAST ALUM</b>	Q.A.			SIZE <b>B</b>
FINISH <b>MILL / POWDERCOAT</b>	COMMENTS:			
DO NOT SCALE DRAWING	SCALE: 1:1			DWG. NO. -
WEIGHT:		LB.	SHEET 1 OF 1	