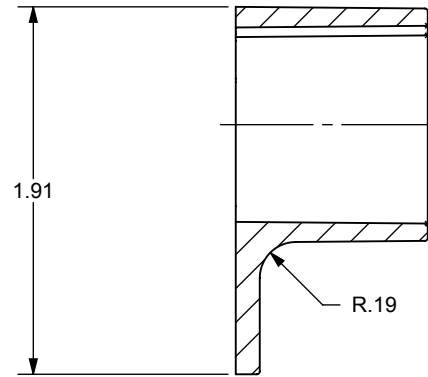
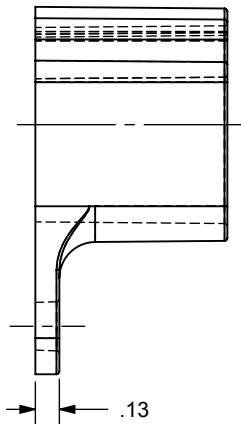
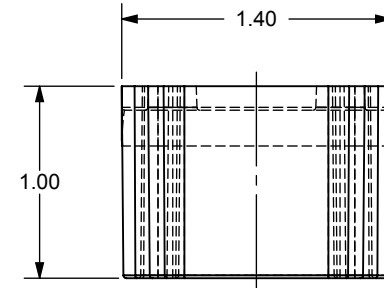
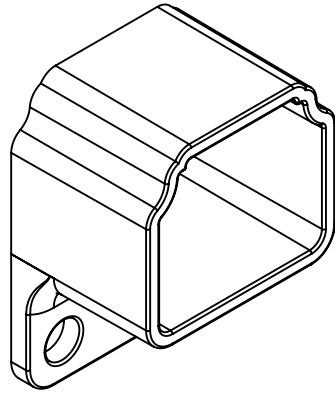
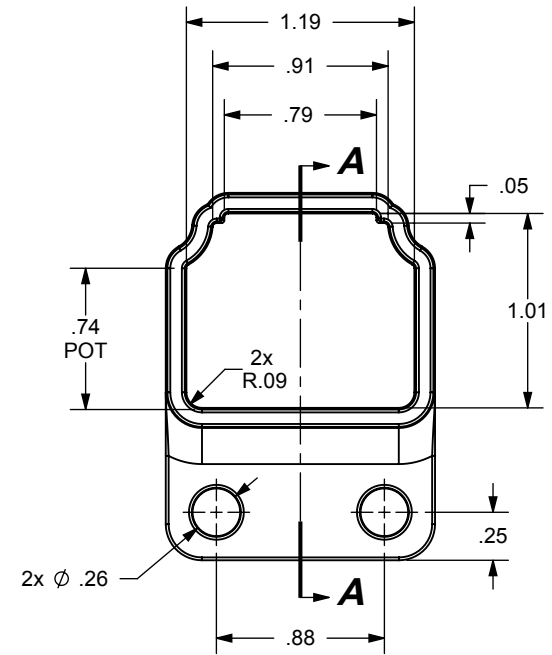


PART #	FINISH	COLOR	L*	a*	b*	G*
DRWM-R	POWDER COAT	BLACK	24	0	0	35

REVISIONS		DATE	APPD
ECR/DCR	REV.	DESCRIPTION	
-	-	INITIAL RELEASE	-



SECTION A-A



DIMENSIONS ARE IN INCHES
 TOLERANCES:
 FRACTIONAL: ±1/16"
 ANGULAR: MACH ±1° BEND ±1°
 TWO PLACE DECIMAL ±0.01
 THREE PLACE DECIMAL ±0.005

MATERIAL
CAST ALUM A360

FINISH
POWDER COAT

DO NOT SCALE DRAWING

NAME	DATE
DRAWN	
CHECKED	
ENG APPR.	
MFG APPR.	
Q.A.	

COMMENTS:

RESIDENTIAL WALL MOUNT BRACKET

DRWM-R

SIZE	DWG. NO.	REV.
A		--
SCALE: 1:1	WEIGHT:	SHEET 1 OF 1