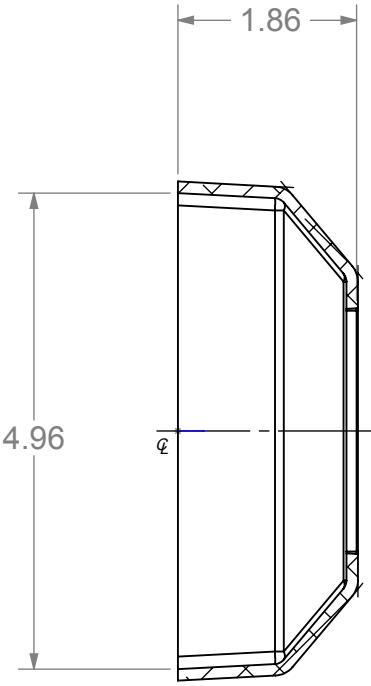
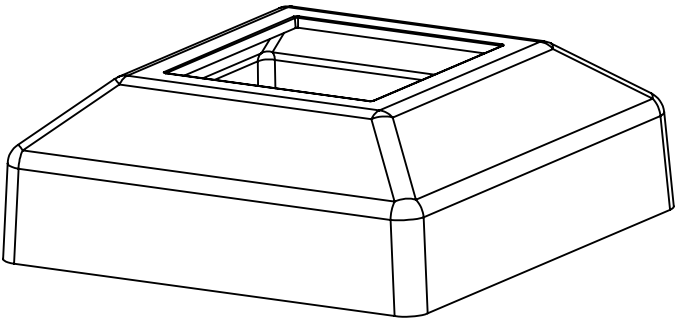
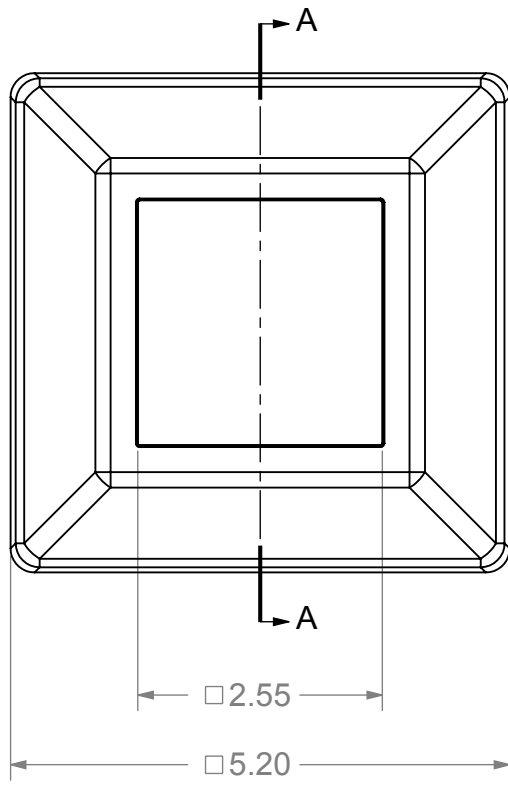


--	--	--	--	--



SECTION A-A



MATERIAL: A360 ALUMINUM

DIMENSIONS ARE IN INCHES TOLERANCES: FRACTIONAL: ±1/16" ANGULAR: MACH ±1° BEND ±1° TWO PLACE DECIMAL ±0.01 THREE PLACE DECIMAL ±0.005	PC-25IN-1PIECE	
	COVERPLATE FOR 2.5" FLOOR MOUNT	
SIZE A DWG. NO. _____ SCALE: 1:2 WEIGHT: _____	REV. _____ -	SHEET 1 OF 1