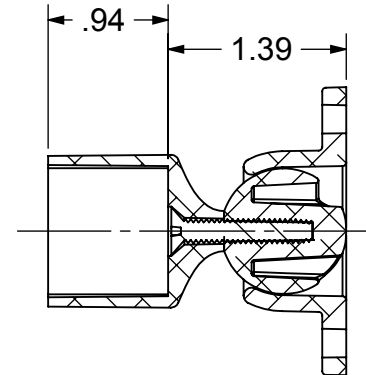
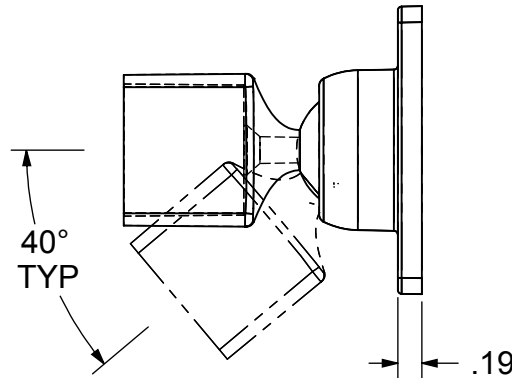
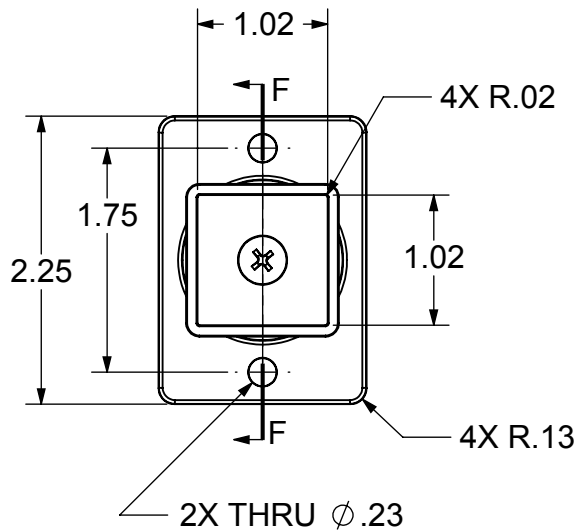
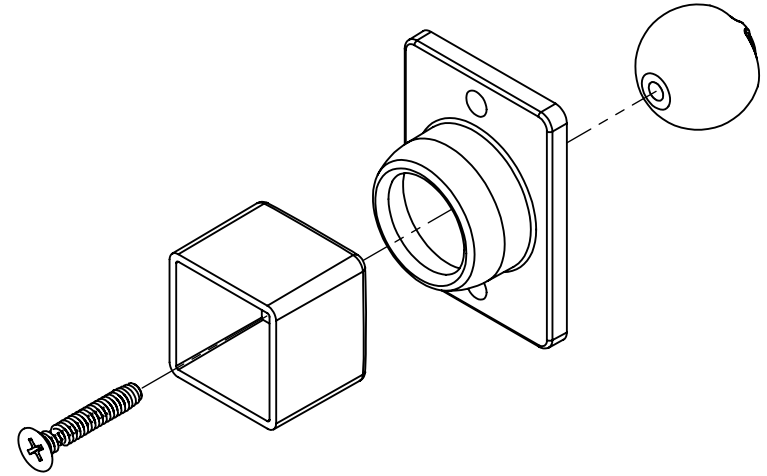
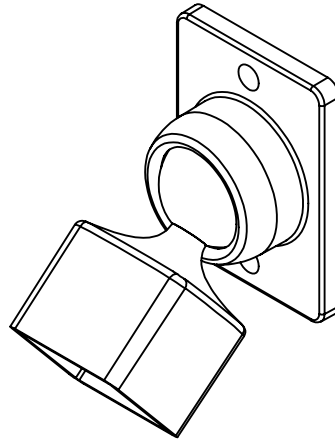
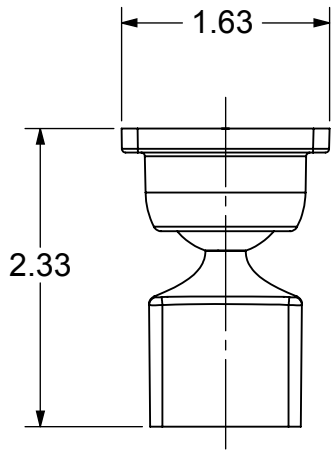


REVISIONS			DATE	APPD
ECR/DCR	REV.		MM-DD-YY	-
-	-			



SECTION F-F

DIMENSIONS ARE IN INCHES TOLERANCES: FRACTIONAL: $\pm 1/16"$ ANGULAR: MACH $\pm 1^\circ$ BEND $\pm 1^\circ$ TWO PLACE DECIMAL ± 0.01 THREE PLACE DECIMAL ± 0.005		1" x 1" SWIVEL BALL BRACKET	
		SWB-1-BLACK	
SIZE A	DWG. NO.	REV. -	
SCALE: 2:3	WEIGHT:	SHEET 1 OF 1	