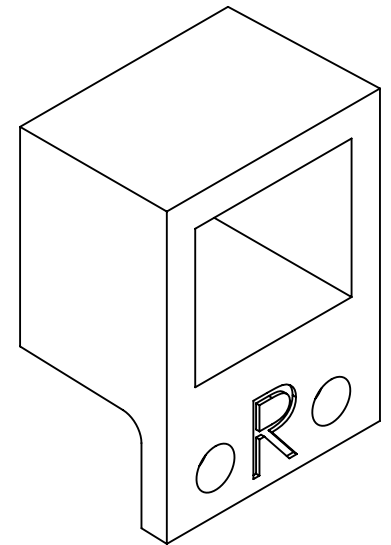
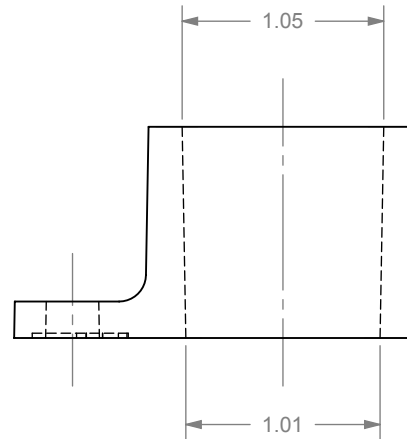
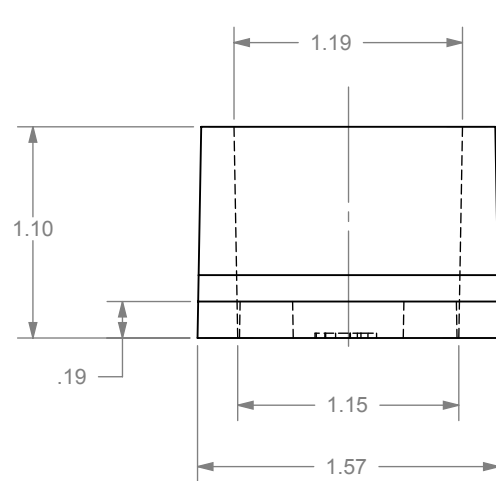
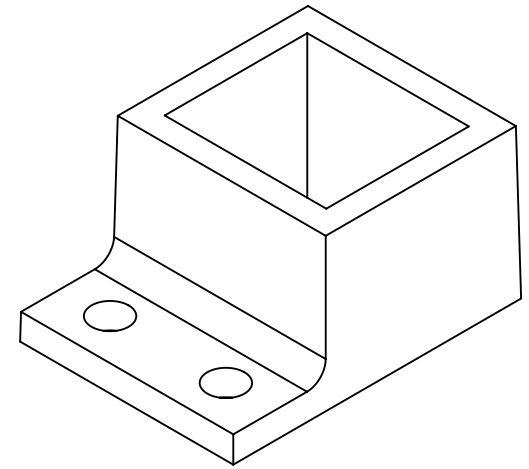
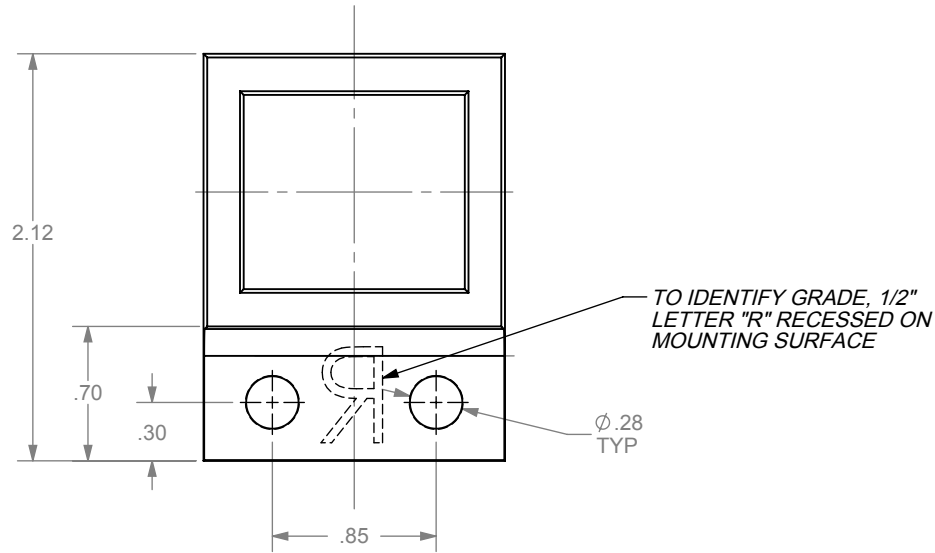


PART #
WB-1118-BLACK

COLOR
BLACK

ECR/DCR		REV.	REVISIONS	DATE	APPD.
			DESCRIPTION		



DIMENSIONS ARE IN INCHES		NAME	DATE	RESIDENTIAL 1" CHANNEL BRACKET
TOLERANCES:		DRAWN		
FRACTIONAL: ±1/16"		CHECKED		WB-1118-BLACK
ANGULAR: MACH ±1° BEND ±1°		ENG APPR.		
TWO PLACE DECIMAL ±0.01		MFG APPR.		
THREE PLACE DECIMAL ±0.005		Q.A.		
MATERIAL A360 ALUMINUM		COMMENTS:		
FINISH				SIZE DWG. NO.
DO NOT SCALE DRAWING				SCALE:1:1 WEIGHT: SHEET 1 OF 1