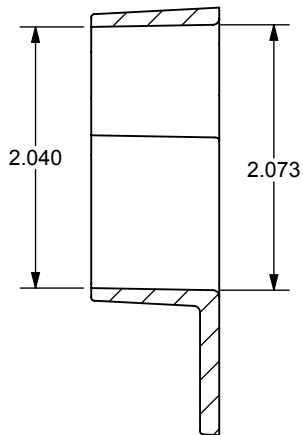
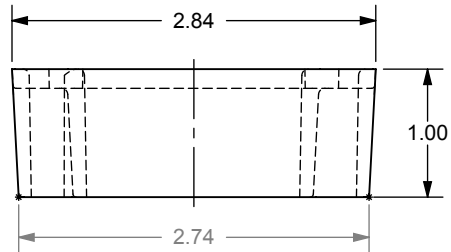
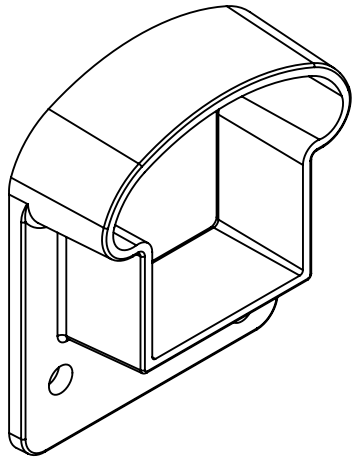
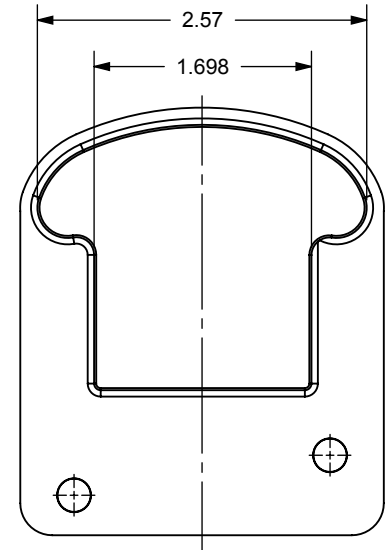
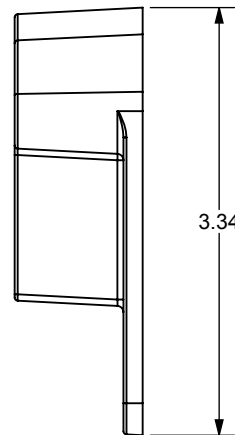
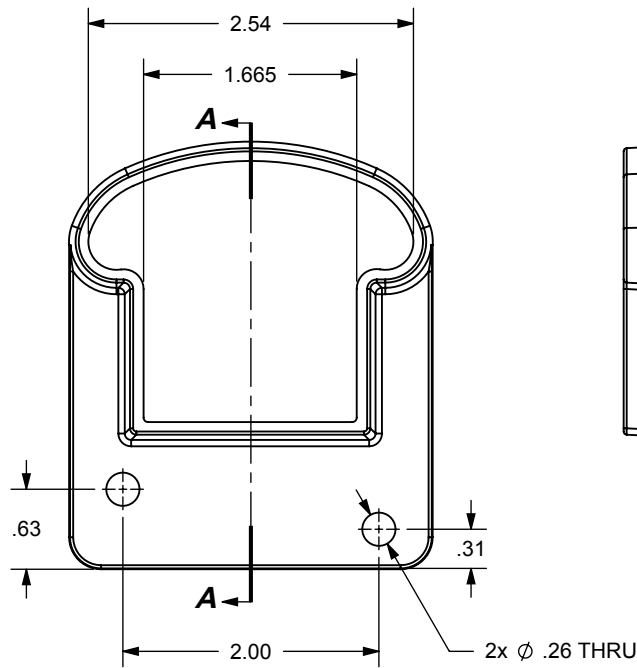


PART #	FINISH	COLOR	L*	a*	b*	G*
WB-BREADLOAF-BLACK	POWDER COAT	BLACK	24	0	0	35

REVISIONS		DESCRIPTION	DATE	APPD
ECR/DCR	REV.	INITIAL RELEASE	-	-



SECTION A-A



DIMENSIONS ARE IN INCHES		NAME	DATE	"BREAD LOAF" SINGLE FLANGE WALL MOUNT BRACKET
TOLERANCES:		DRAWN		
FRACTIONAL: ±1/16"		CHECKED		WB-BREADLOAF-BLACK
ANGULAR: MACH ±1° BEND ±1°		ENG APPR.		
TWO PLACE DECIMAL: ±0.01		MFG APPR.		
THREE PLACE DECIMAL: ±0.005		Q.A.		
MATERIAL: A360 CAST ALUMINUM		COMMENTS:		SIZE DWG. A NO.
FINISH				
DO NOT SCALE DRAWING				SCALE:2:3 WEIGHT: SHEET 1 OF 1