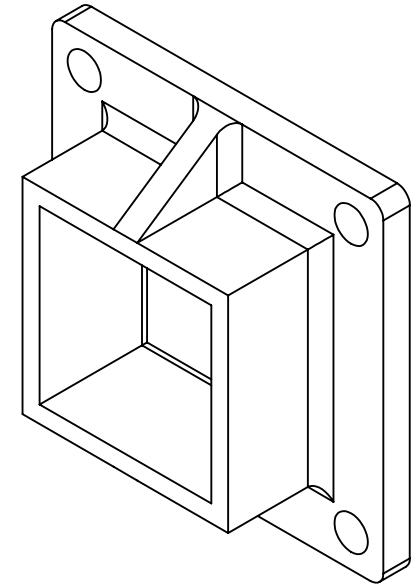
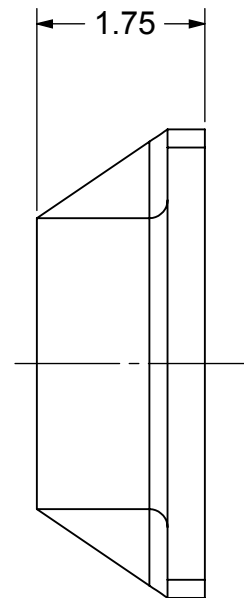
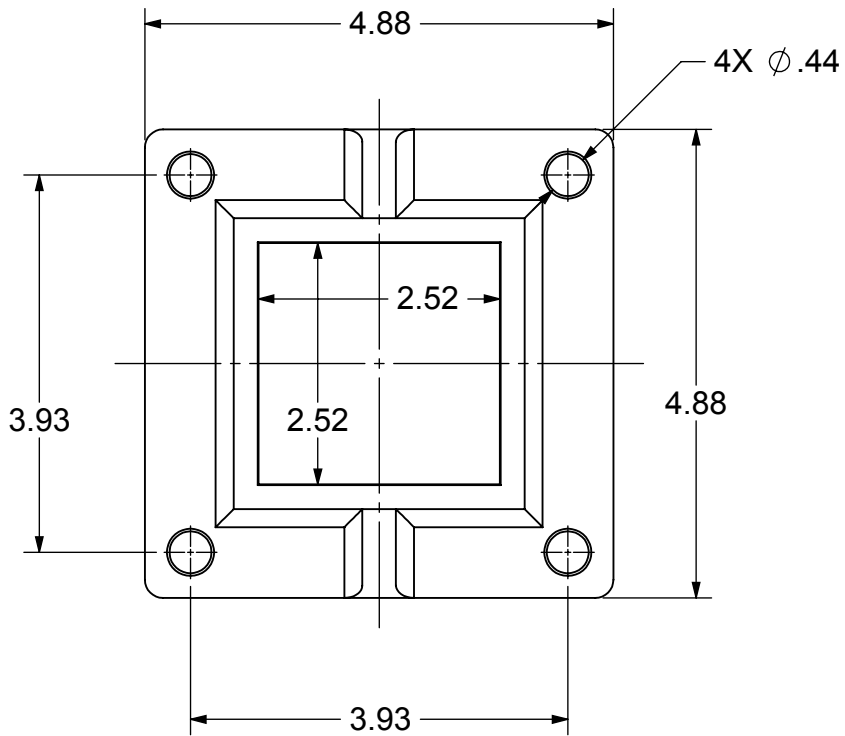


REVISIONS				
ECR/DCR	REV.	DESCRIPTION	DATE	APPD.



MATERIAL: A360 ALUMINUM

<small>DIMENSIONS ARE IN INCHES TOLERANCES: FRACTIONAL: ±1/16" ANGULAR: MACH ±1° BEND ±1° TWO PLACE DECIMAL ±0.01 THREE PLACE DECIMAL ±0.005</small>		<p>2.5in FLOOR MOUNT</p> <p>AFF2525BL</p>
<small>SCALE: 1:2</small>	<small>NO.</small> <small>REV.</small>	
<small>WEIGHT:</small>		<small>SHEET 1 OF 1</small>