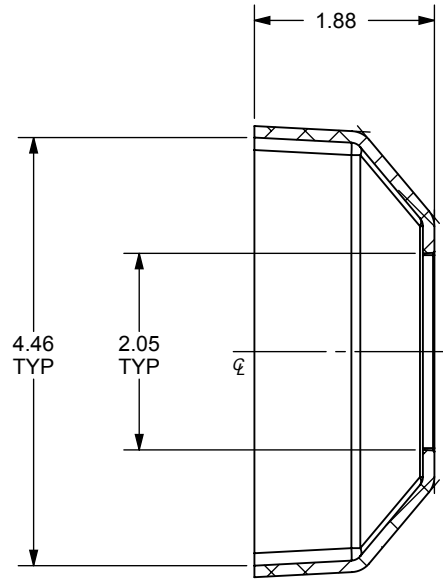
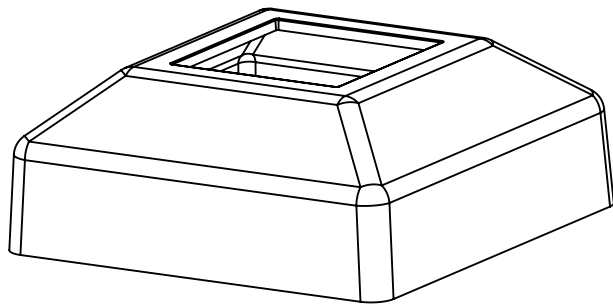
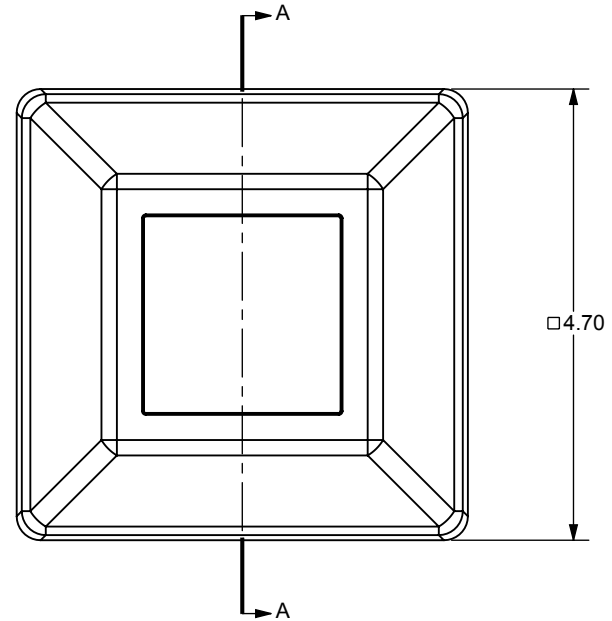


REVISIONS				
ECR/DCR	REV.	DESCRIPTION	DATE	APPD.
-	-	INITIAL RELEASE	-	-



SECTION A-A



DIMENSIONS ARE IN INCHES TOLERANCES: FRACTIONAL: ±1/16" ANGULAR: MATCH ±1° BEND ±1° TWO PLACE DECIMAL ±0.01 THREE PLACE DECIMAL ±0.005 MATERIAL: A360 ALUMINUM FINISH: POWDERCOAT / MILL DO NOT SCALE DRAWING	NAME	DATE	COVERPLATE FOR 2" FLOOR MOUNT PC-2IN-1PIECE SIZE DWG. NO. A SCALE: 1:2 WEIGHT: SHEET 1 OF 1
	DRAWN		
	CHECKED		
	ENG APPR.		
	MFG APPR.		
Q.A.			
COMMENTS:			REV. -